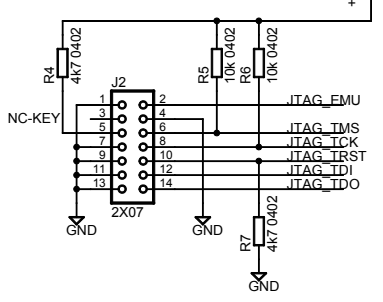
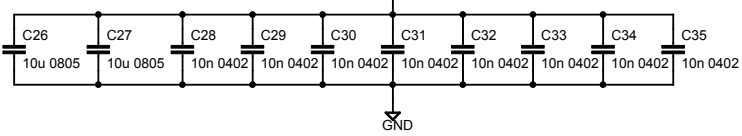
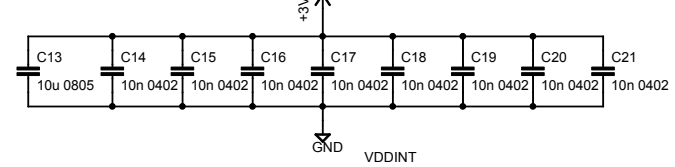
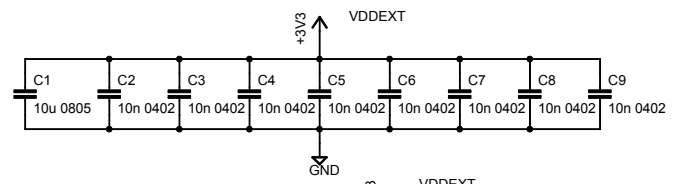
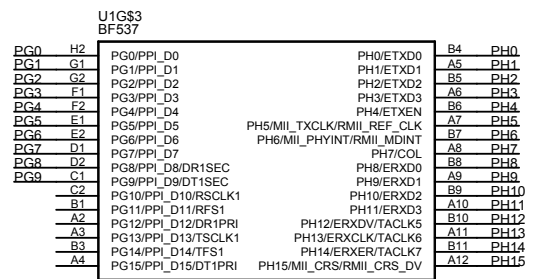
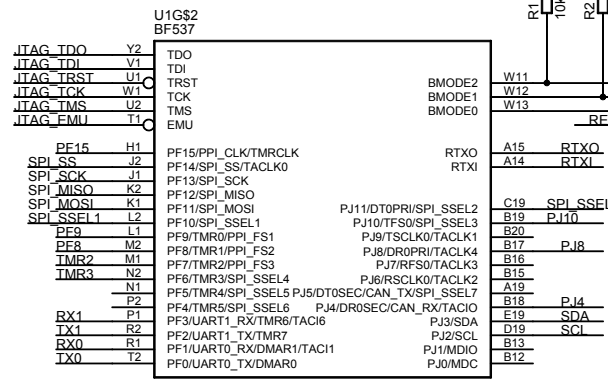
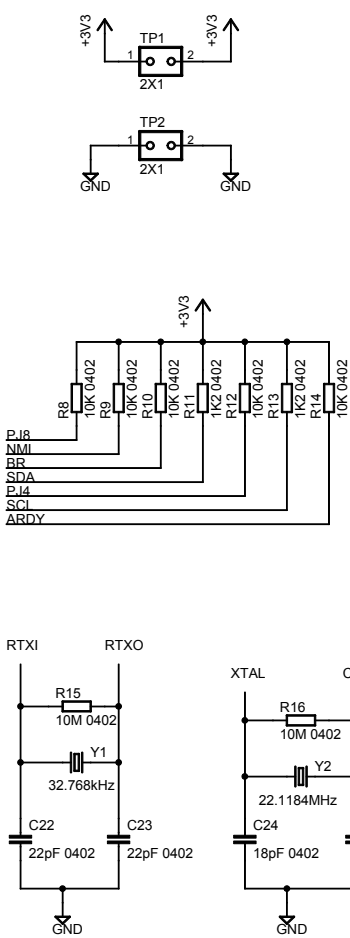


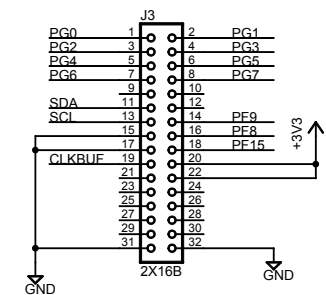
JTAG interface No boundary scan



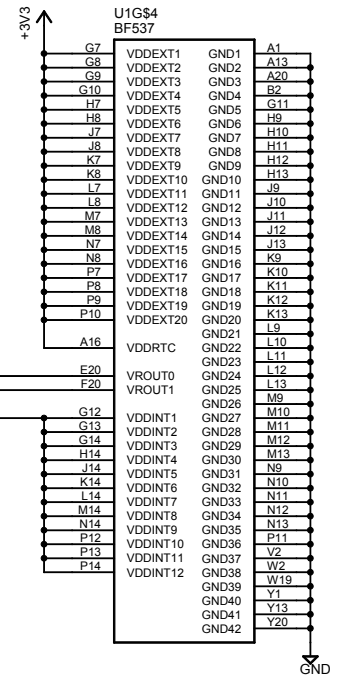
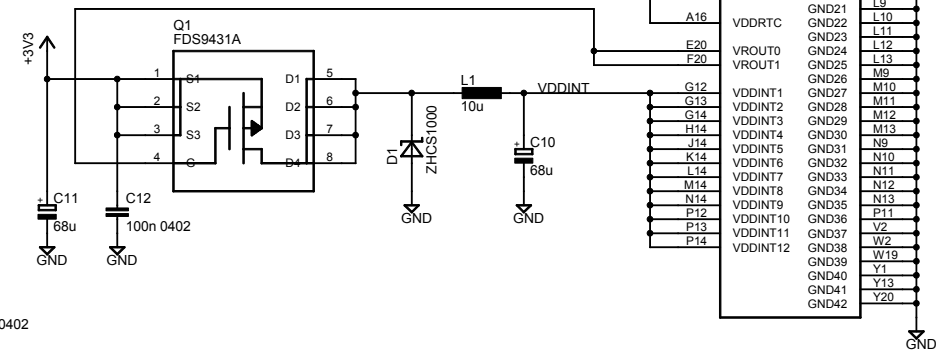
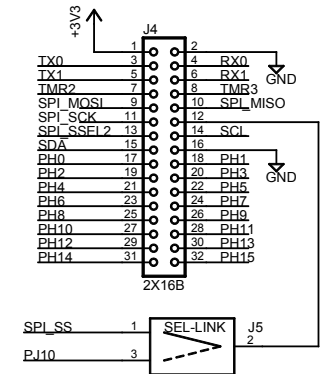
Test pads



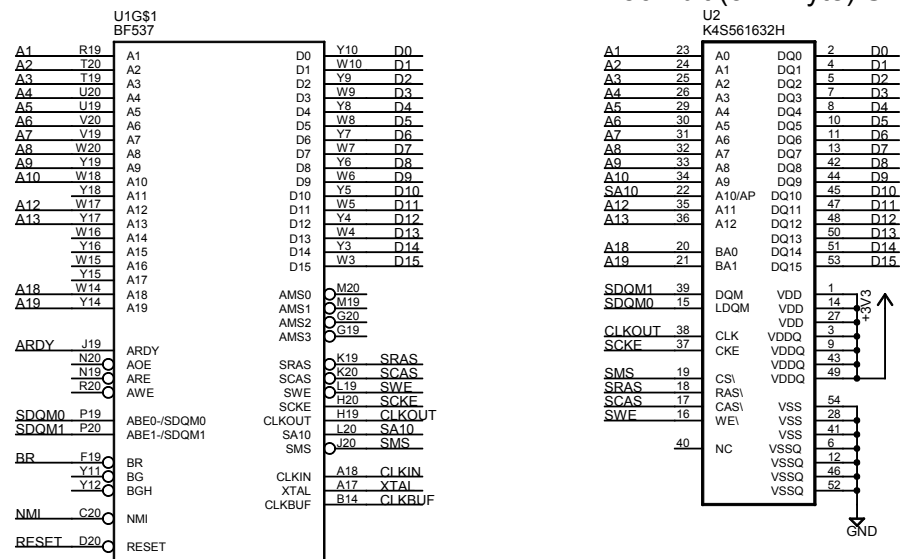
Connector to OV9655



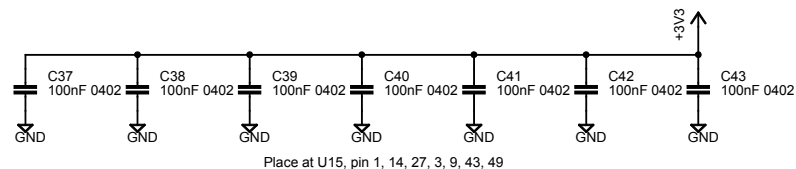
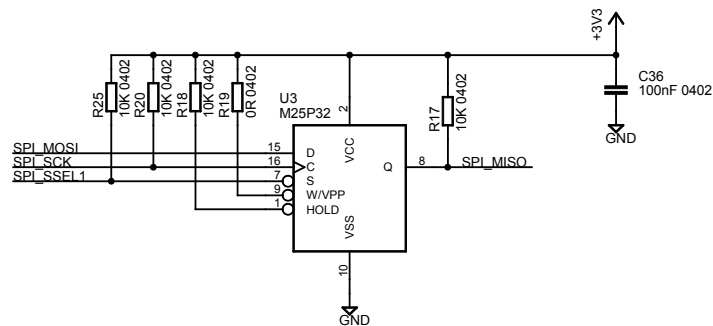
Expansion header



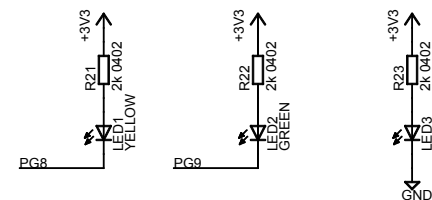
256Mbit (32MByte) SDRAM



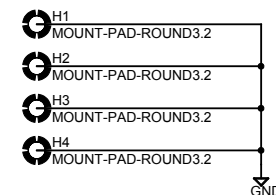
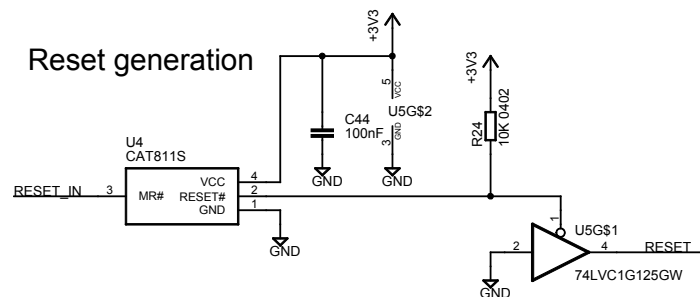
SPI NAND FLASH



LED indicators



Reset generation



TITLE: BFN_pa6

Document Number: 2101-0010

REV: PA6

Date: 2007-06-22 01:08:30

Sheet: 2/2